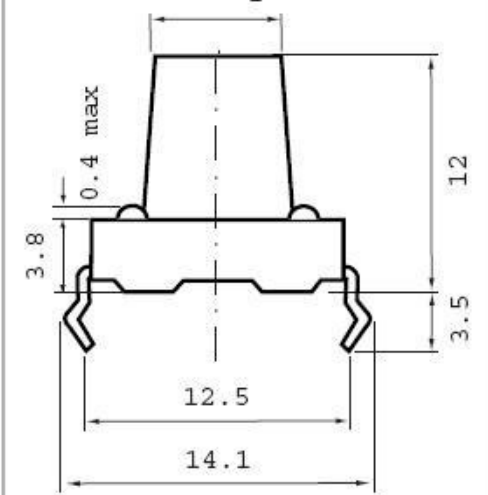
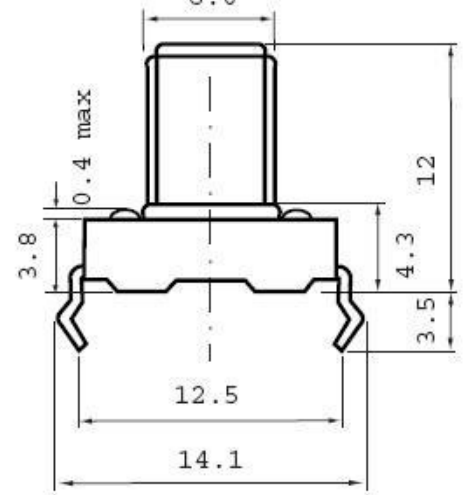
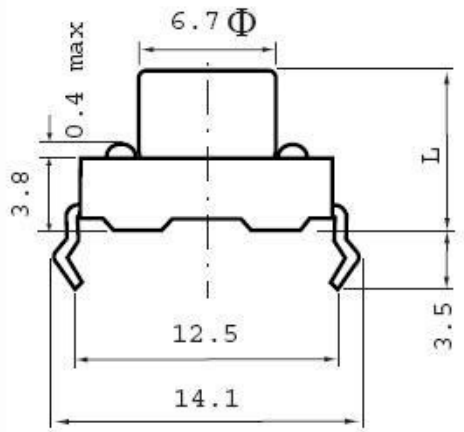
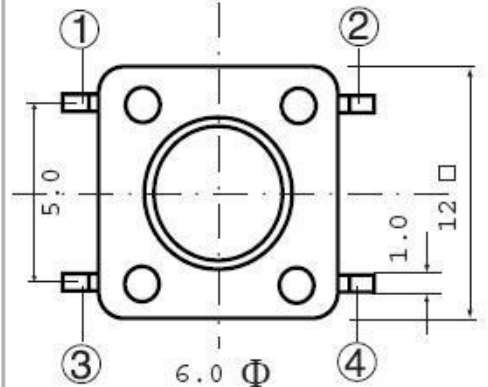
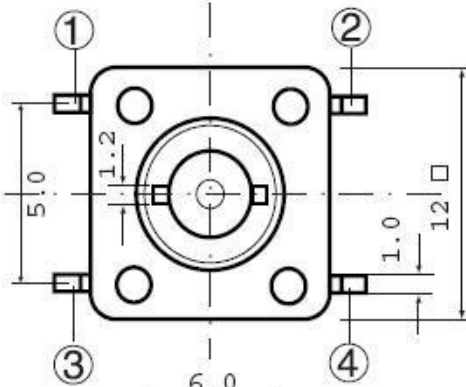
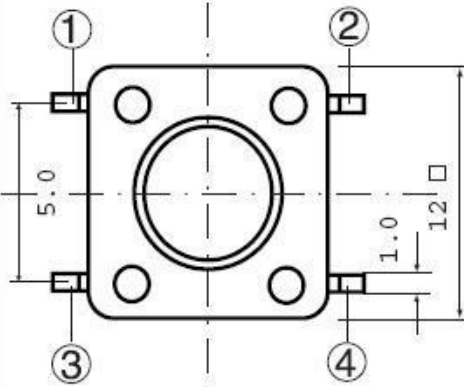


TACT SWITCH: 12 X 12 TYPE 60-3000 **RoHS COMPLIANT**



STANDARD STEM

STEM C

STEM D

L	4.3	7.5	5.6	9.5
CODE	A	B	E	F

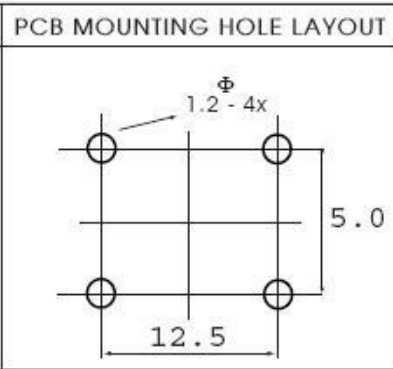
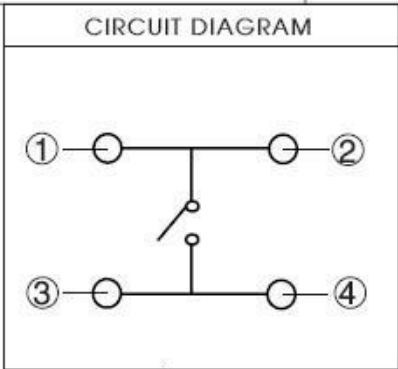
OPERATING		SWITCH CODE
FORCE (GRAMS)	LIFE (CYCLES)	
100	100,000	60-3S4L
130	100,000	60-3S1L
180	100,000	60-3S5L
250	100,000	60-3S3L

SWITCH CODE
60-3S4C
60-3S1C
60-3S5C
STANDARD
60-3S3C


SWITCH CODE
60-3S4D
60-3S1D
60-3S5D
STANDARD
60-3S3D

SPECIFICATIONS:

CONTACT	: METAL CONTACT
RATING	: 50 mA x 12 V DC
CONTACT RESISTANCE	: 100 mΩ MAX
PROOF VOLTAGE	: 250 V AC FOR 1 MIN
INSULATION RESISTANCE	: 100 MΩ MIN/100 V DC
RESISTANCE TO SOLDERING HEAT	: HAND 270±10°C - 3 SEC MAX AUTO 255± 5°C - 5 SEC MAX
Operating temp	: -40 to 85 Deg. C



Part Code: Replace L with A,B,C....
 Part Code: 60-3S5A = 4.3mm height, 180gf
 Part code: 60-3S5B = 7.5mm height, 180gf
 Part code: 60-3S5D = 12mm height, 180gf
 Part code: 60-3S5E = 5.6mm height, 180gf
 Part code: 60-3S5F = 9.5mm height, 180gf

PRODUCT: TACT SWITCH 12 x12 TYPE: 60-3000	
DIMENSIONS: MM TOLERANCE: ± 0.2 MM	
CHECKED BY: PRM	DATE: 5/01/11
APPROVED BY: APM	DATE: 7/01/11
 Pran Electronics Pvt. Ltd. 52 G.I.D.C. Makarpura Vadodara 390 010, INDIA.	